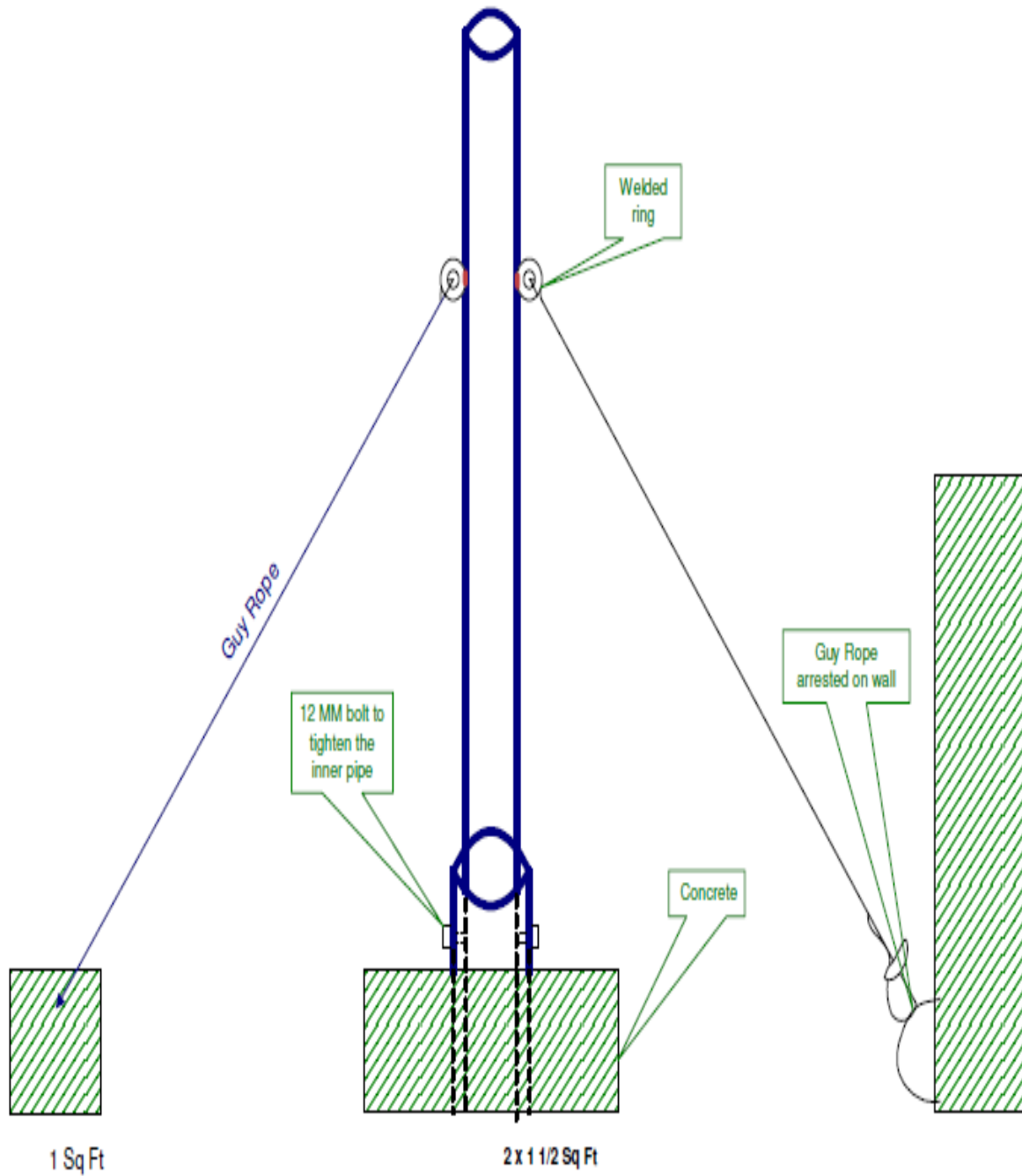


QUALITY INSTALLATION STANDARDS

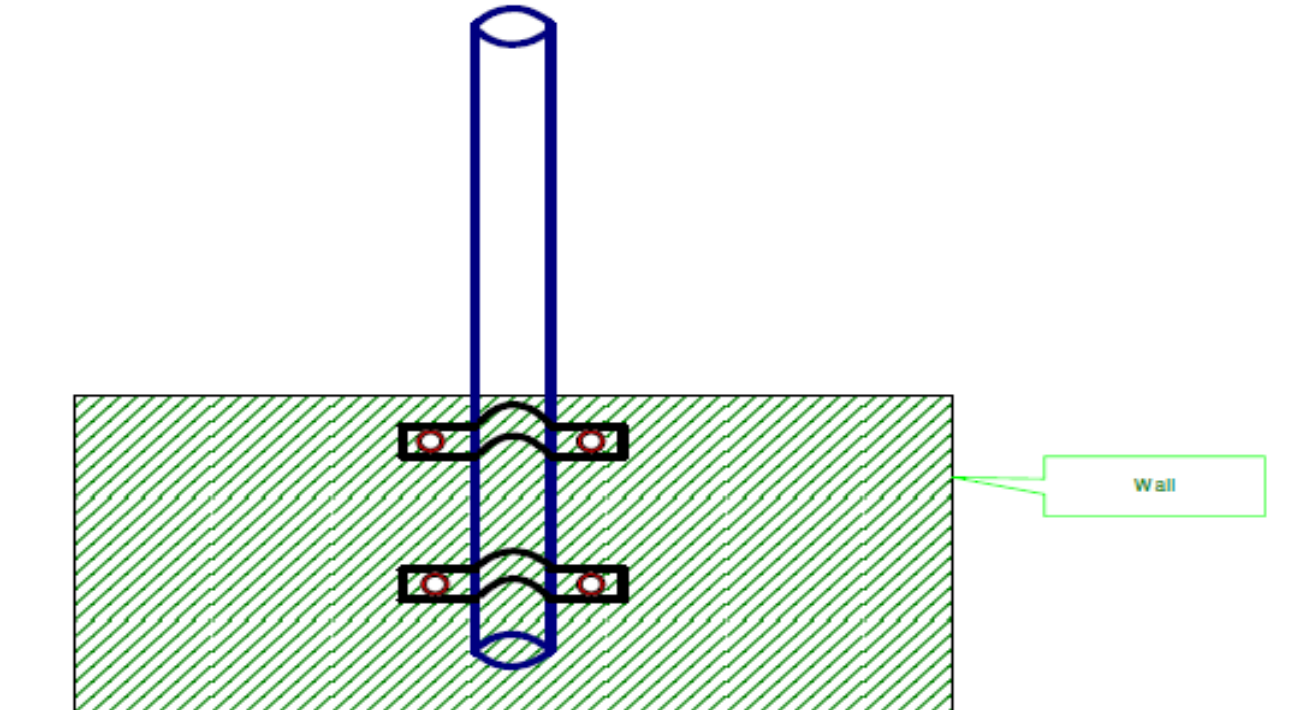
CPE Mast/Pole & Wall Mounting General specification:-

1.Specifications			
Sl. Nos	Description	Dimensions	Qty
I. Floor Mounting 5 Mtrs Pole with Guy Support- Fig.1			
1	<i>Foundation Specifications:</i>		1
A	Length	0.61 Mtr	
B	Breath	0.61 Mtr	
C	Height	0.46 Mtr	
D	Mix Ratio	2:4:6 (standard)	
2	<i>Inner Pipe</i>		
A	Pipe Wall Thickness	2.5 mm	
B	Pipe Diameter	3.81 Cms	
C	Pipe Height	5/6 Mtrs	1
3	<i>Outer Pipe</i>		
A	Pipe Wall Thickness	2.5 mm	
B	Pipe Diameter	5.08Cms	
C	Pipe Height	0.61 Mtr	1
D	Bolt & Nutt Set	12mm	2
	<i>Note: 12 mm Nutt is welded to the pipe to tighten the inner pipe</i>		
4	Guy Rope		9.14 Mtrs(Approx)
A	Thickness	6 mm	
B	Area Required	Around 2.13 Mtrs Radius	
II.Floor Mounting 3 Mtr Pole-Fig.2.			
1	<i>Foundation Specifications:</i>		1
A	Length	0.61Mtrr	
B	Breadth	0.61 Mtr	
C	Height	0.46 Mtr	
D	Mix Ratio	2:4:6 (standard)	
2	<i>Inner Pipe</i>		

Floor Mounting with Guy wire support for 5/6 Meter Pole:-



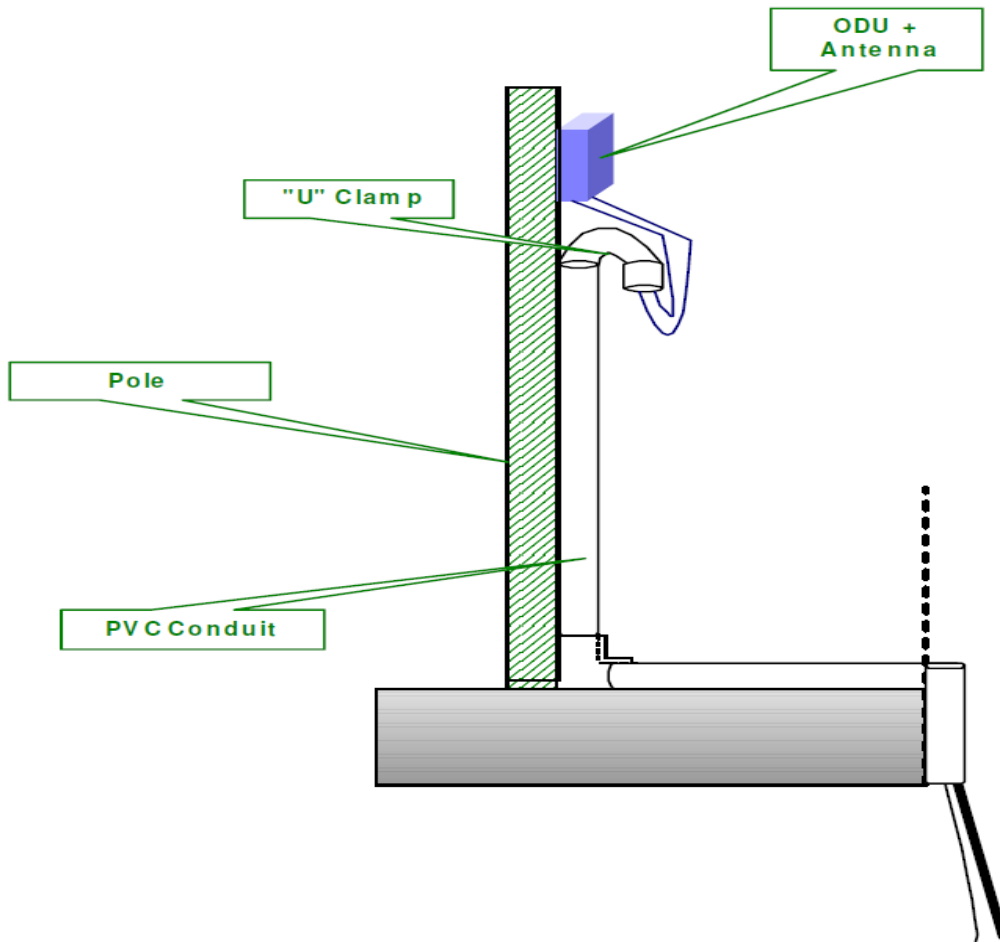
Wall Mounting 3 Meter Pole:-



Laying of PVC Conduit along with STP Cat 5e Cables:-

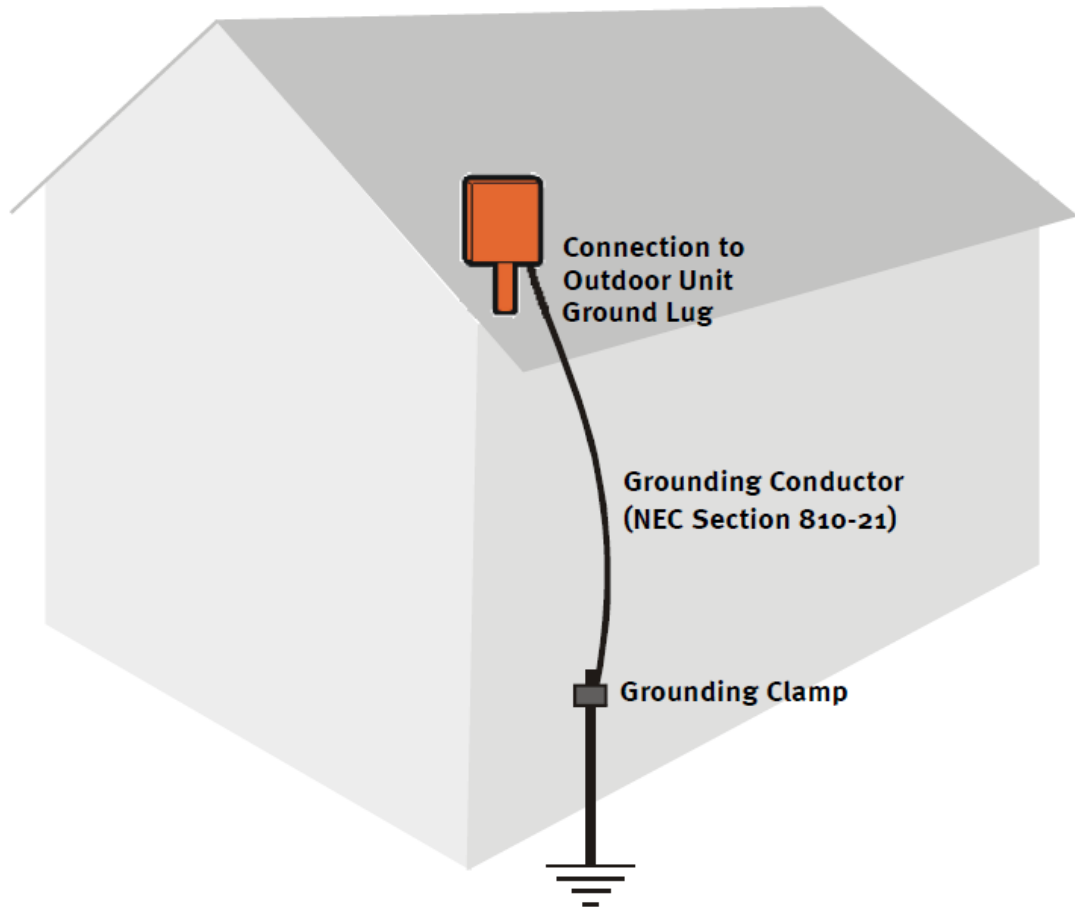
Use 2” PVC conduit to lay RG6 & STP Cable, need to take care the following precautions while laying the same.

1. Ensure “U” Clamp is put at top side of the conduit
2. Couplers installed at conduit joins should always facing downwards, which does not allow water to flow outside the conduits & water to seep inside the conduit.
3. All the Conduits are properly anchored to the tower using cable tie or tag.

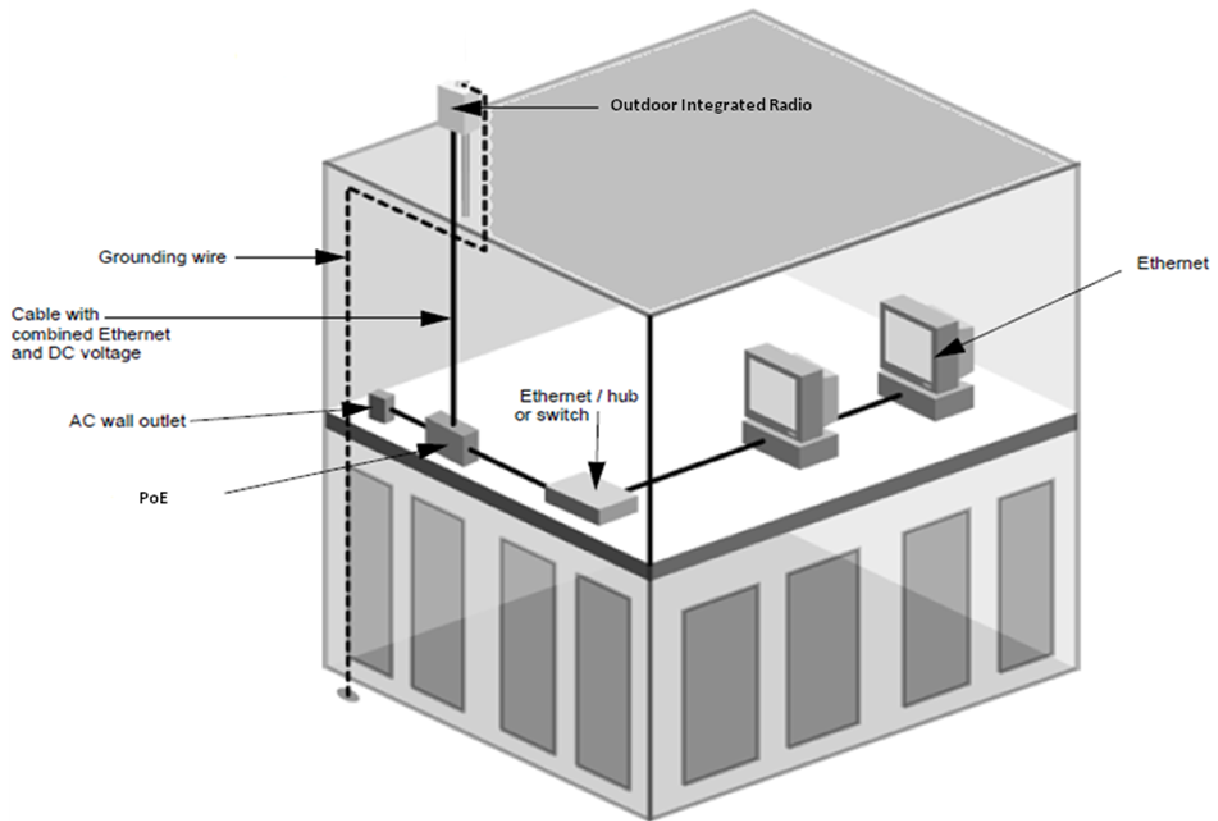


ODU Earthing for CPE:-

Extend the ODU earth with Multi Strand Insulated Copper wire to the Earth point, which is available nearer to Pole Base.



STANDRAD QUALITY INSTALLATION SETUP FOR INTEGRATED ANTENNA:



STANDRAD QUALITY INSTALLATION SETUP FOR EXTERNAL ANTENNA:

